

Fig 7-5. Model 602 Schematic Diagram

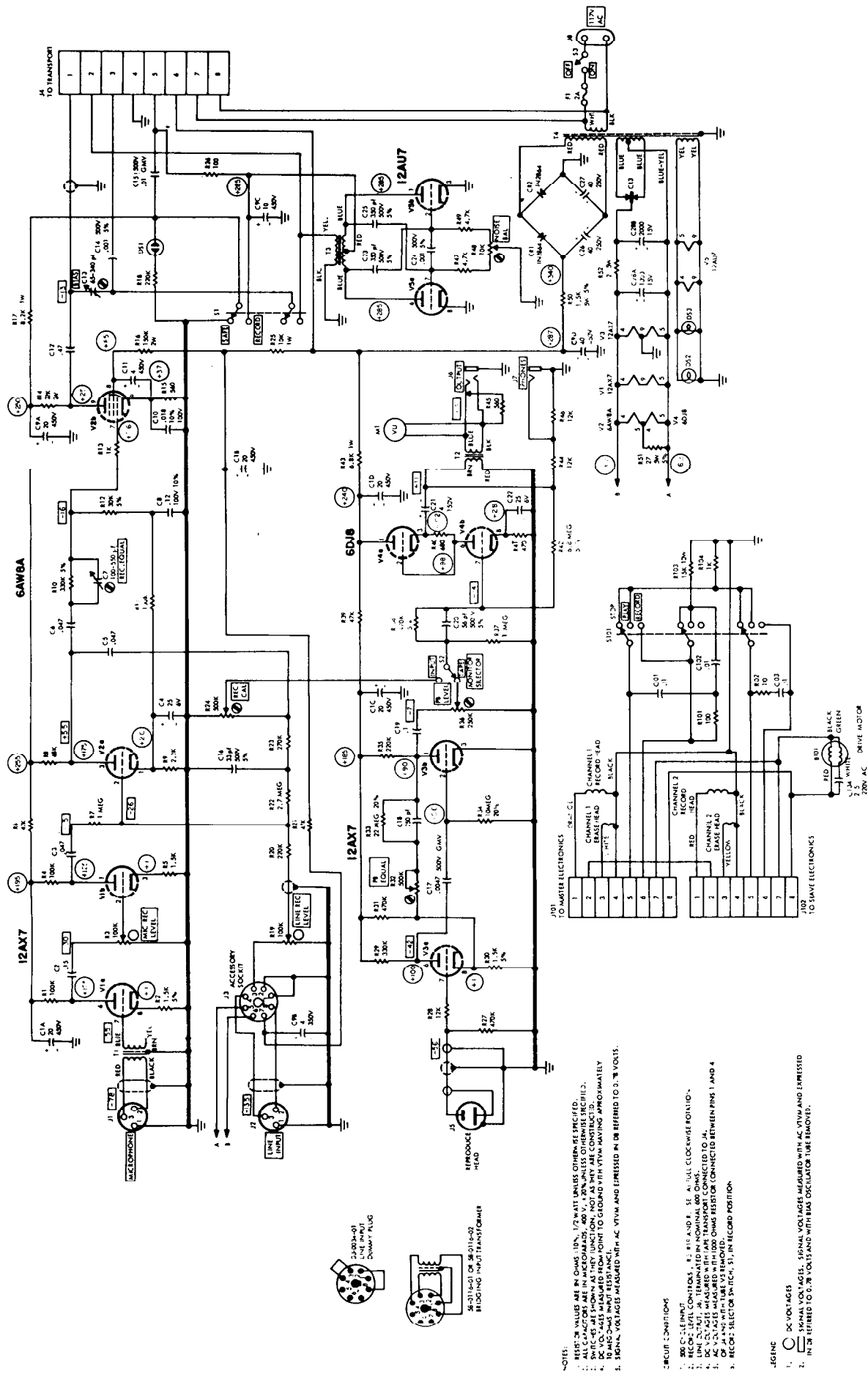


Fig. 7-6. Model 602-2 Master Schematic Diagram

- NOTES:
- RESISTOR VALUES ARE IN OHMS, 10%, 1/2 WATT UNLESS OTHERWISE SPECIFIED.
 - ALL CAPACITORS ARE IN MICROFARADS, 50% V., 1.0% UNLESS OTHERWISE SPECIFIED.
 - DC VOLTAGES MEASURED FROM POINT TO GROUND WITH VTVM HAVING APPROXIMATELY 10 MEG OHM INPUT RESISTANCE.
 - SIGNAL VOLTAGES MEASURED WITH AC VTVM AND EXPRESSED IN DB REFERRED TO 0.775 VOLTS.

- CIRCUIT CONDITIONS:
- 500 C-151 INPUT
 - RECORDER LEVEL CONTROLS, REVERSE AND F. SE. ALL FULL CLOCKWISE POSITION.
 - LINE INPUT SWITCH, POSITIONED WITH LINE TRANSPORT CONNECTED TO J.A.
 - AC C-151 SWITCH, POSITIONED WITH 1000 OHMS RESISTOR CONNECTED BETWEEN PINS 1 AND 4 OF J.A. AND WITH TUBE V5 REMOVED.
 - RECORDER SWITCH, IN RECORD POSITION.

- LEGEND:
- DC VOLTAGES
 - SIGNAL VOLTAGES
 - AC VOLTAGES MEASURED WITH AC VTVM AND EXPRESSED IN DB REFERRED TO 0.775 VOLTS AND WITH HIAS OSCILLATOR TUBE REMOVED.

